

Rotiot Tracker

Flexible LoRaWAN® tracker
to manage valuables

Flexible multi-standard LoRaWAN®
WiFi/GPS tracker for various
use-cases.

Description

Rotiot Tracker is a powerful and flexible GNSS tracking device that integrates a multi-standard GPS receiver and passive Wi-Fi MAC address scanner with Bluetooth 5.2 connectivity and an accelerometer for motion detection, into one compact device. Location functionality is based on Satellite communication and scanning nearby Wi-Fi Access Points. It is tightly integrated with the Swisscom location solver. It provides seamless outdoor-indoor tracking. The highly configurable device firmware allows for fine-grained adaptation to a specific use case to optimize performance and battery lifetime.



Features

- LoRaWAN® class A compliant device
- Dedicated high precision GPS receiver
- Passive Wi-Fi AP MAC address scanner module
- Bluetooth 5.2 receiver and transmitter
- Accelerometer to detect motion
- Rechargeable, USB-C / Wireless charging

Applications

- Tracking of assets and valuables
- Construction site management
- Fleet management
- Theft protection

Document Information

About

File Name	Document type	Date	Revision
DS_Rotiot_Tracker_V1_0	Datasheet	2023/02/23	1.0

Revision history

Date	Release	Changes
2023/02/23	1	Initial release

Table of content

Document Information	2
Functional Description	3
Technical Specifications	4
Sensor Specifications	5
Mechanical Dimensions	6
Keep in touch	7

I Functional Description

Rotiot Tracker is a very small LoRaWAN® class A and Bluetooth 5.2 compliant GPS tracking device for valuable asset tracking, indoor and outdoor localization applications. The device is based on a multi-standard GPS receiver and passive Wi-Fi MAC address scanner.

The integrated Bluetooth 5.2 receiver / transmitter provides additional functionality such as secure firmware updates and advanced device configurations.

The built-in accelerometer allows to detect movement to trigger acquisition of GPS fixes and Wi-Fi scans only when needed, resulting in lower current consumption and extended battery lifetime. Additionally, the device can also obtain fixes on regular intervals.

Different device profiles for various applications can be configured even with the device deployed in the field using LoRaWAN® downlink messages.

Technical Specifications

Mechanical specifications

Weight	35 g
Dimensions	56 x 50 x 17 mm
Enclosure	Plastic

Operating conditions

Temperature	0 – 60 °C
Humidity	0 – 95 % RH, non-condensing

Radio / wireless

Wireless technologies	LoRaWAN® 1.0.3, Bluetooth 5.2
LoRaWAN® Device type	Class A
Supported LoRaWAN® features	OTAA, ADR, Adaptive Channel Setup
LoRaWAN® receiver sensitivity ²	-127 dBm (SF7, 125 kHz) to -141 dBm (SF12, 125 kHz)
LoRaWAN® transmission power ²	14 dBm / 22 dBm (depending on region)
Bluetooth transmission power ²	6 dBm
Bluetooth sensitivity	-106.7 dBm (125 kbps) to -96.2 dBm (2 Mbit/s)

²See transceiver datasheet for detailed specifications

Expected battery lifetime

1 WiFi scan + HPGPS / hour*	20 days
1 WiFi scan + GPS / hour	2 months

*High Precision GPS

Power Management

Rechargeable Battery	3.7V, 0.29 Ah
Battery type	Lithium Polymer
Charging	Wireless or USB-C

Sensor Specifications

GPS

Receiver	uBlox GPS receiver with patch antenna
GNSS	BeiDou, Galileo, GLONASS, GPS / QZSS

Wifi

Receiver	2.4 GHz passive MAC scanning 802.11 b/g/n
----------	---

BLE

Transceiver	Advertising, FOTA, device config via BLE connection, 2.4 GHz passive BLE beacon scanning capabilities
-------------	---

Accelerometer

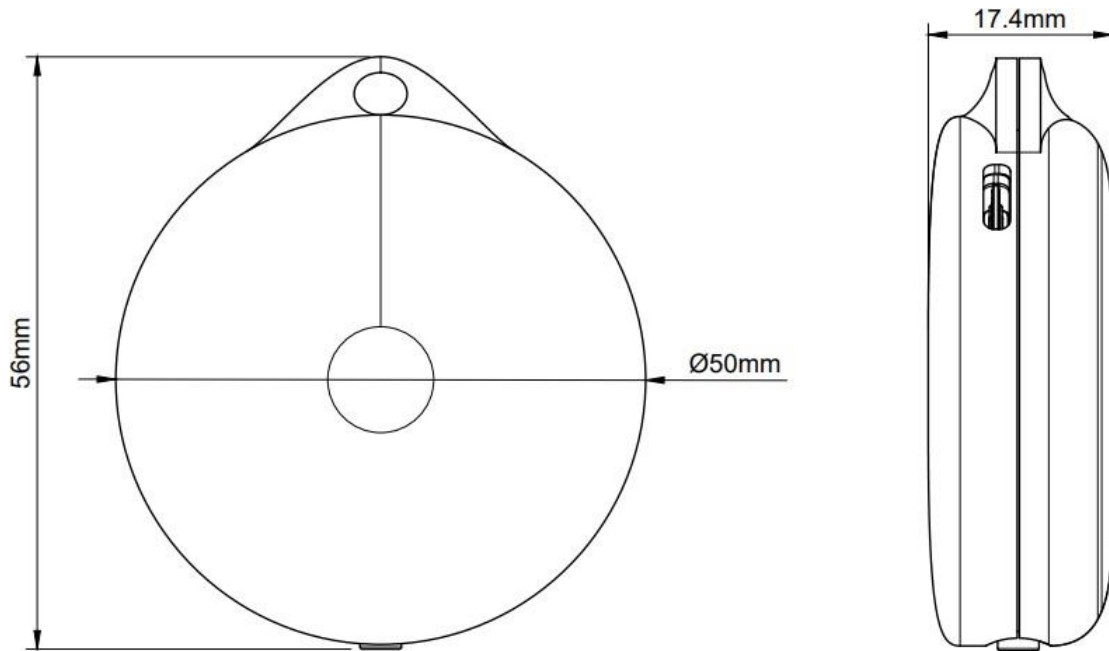
Range	$\pm 2, \pm 4, \pm 8, \pm 16$
Resolution	16 bit
Accuracy (typ.)	± 20 mg

Position accuracy

High precision GPS*	5 - 10 meters
GPS*	20 - 30 meters
Wi-Fi	20 - 50 meters
BLE	Depends on the infrastructure

* assuming - 130 dBm

■ Mechanical Dimensions



Keep in touch

ROTIOT

Headquarter

CH-9100 Herisau, Switzerland

info@rotiot.ch

www.rotiot.ch

DISCLAIMER

We reserve the right to make technical changes, which serve to improve the product, without prior notification.

LoRa®, Semtech®, the Semtech logo, LoRa®, and LoRaWAN® are registered trademarks or service marks of Semtech Corporation, the LoRaAlliance or its affiliates.

SAFETY-CRITICAL, MILITARY, AND AUTOMOTIVE APPLICATIONS DISCLAIMER: ROTIOT products are not designed for and will not be used in connection with any applications where the failure of such products would reasonably be expected to result in significant personal injury or death (“Safety-Critical Applications”) without an ROTIOT officer’s specific written consent. Safety-Critical applications include, without limitation, life support devices and systems, equipment, or systems for the operation of nuclear facilities and weapons systems. ROTIOT products are not designed nor intended for use in military or aerospace applications or environments. ROTIOT products are not designed nor intended for use in automotive applications unless specifically designated by ROTIOT as automotive grade.

© 2023 ROTIOT All rights reserved.